

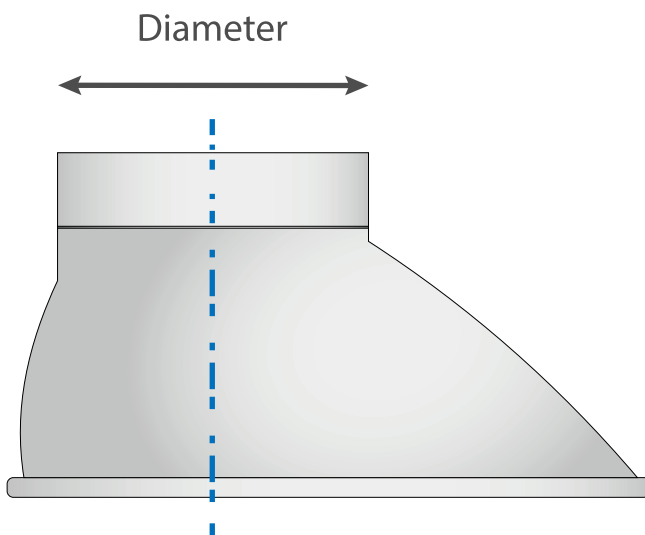
Curved Boot



Description

Curved Boot like a Pressed Saddle is used to branch spiral ducting off another run of spiral ducting but allows air to be moved with less resistance than a pressed saddle (these are ideal when air flow rates are critical). If another fitting is required (a bend to be fitted to the curved boot for example), a female coupler will be required.

The curved boots are available in a range of sizes which start at 80mm diameter and go up to 630mm diameter.



SD-CB

Dimensions

DIAMETER (mm)
80
100
125
150
160
180
200
224
250
280
300
315
355
400
450
500
560
600
630

Material & Finish

Material: Galvanised Steel

Colour: Silver

Please contact Glovers sales department for more information.